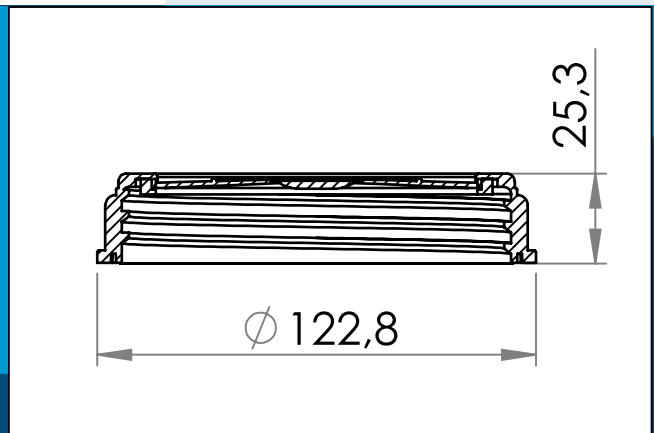




carmo
Your partner in plastic components

03-568 PEHD threaded plastic Cap with Gasket, 98 mm

Soft white rubber gasket included. Also sold as a set (03-129) together with nozzle 03-734



Nominal measurements in mm

Food content approved variants can be supplied on demand. Soft white neoprene rubber gasket included

Also sold as a set (03-129) together with nozzle 03-734

Produced in injection moulded PEHD (Polyethylen High Density).

Rubber gasket produced in neoprene rubber, to ensure perfect sealing and durability even after continued use.

Materials: PEHD+Rubbe
Std. packaging: 1 x 200
Fits with: 03-734

Interested in other colors or materials? Please call for quote...



Carmo A/S, Hoejvangen 19, DK-3060 Espergaerde, Denmark
T: +45 4912 2100, F: +45 4912 2199, E: denmark@carmo.dk
www.carmo.dk

More info <http://www.carmo.dk/en/technical-components/neck-flanges-caps/plastic-caps/03-568/>

All geometrical dimensions and functional information are indicative. (Unless tolerances are specified). Carmo is not responsible for misprints and technical changes.
2024-07-24 15:53:18 UTC