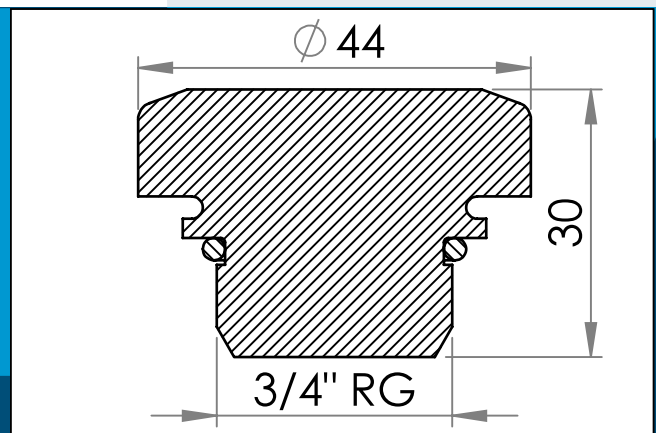




carmo
Your partner in plastic components

03-475 Threaded Plug Incl. 'O'-Ring with G 3/4 inch pipe thread

ABS solid plug for weldable flange 03-601



Nominal measurements in mm

ABS solid plug that can be screwed into the $\frac{3}{4}$ " pipe thread (European) of the weldable PVC flange 03-601 when not in use.

A rubber gasket will seal the join and ensure that it is air and water-tight.

Carmo's modular valve system is built around a common weldable flange, which is available in materials suitable for HF welding on PUR or PVC.

The valve features a standard $\frac{3}{4}$ " socket in which the three functional valves can be mounted:

- Inflation valve
- Vacuum valve
- Pressure relief valve

Materials: ABS+Rubber
Std. packaging: 1 x 1.000
Fits with: 03-711,03-601,03-960

Interested in other colors or materials? Please call for quote...



Carmo A/S, Hoejvangen 19, DK-3060 Espergaerde, Denmark
T: +45 4912 2100, F: +45 4912 2199, E: denmark@carmo.dk
www.carmo.dk

More info <http://www.carmo.dk/en/technical-components/valves/modular-valve-accessories/03-475/>

All geometrical dimensions and functional information are indicative. (Unless tolerances are specified). Carmo is not responsible for misprints and technical changes.
2022-09-29 20:52:51 UTC