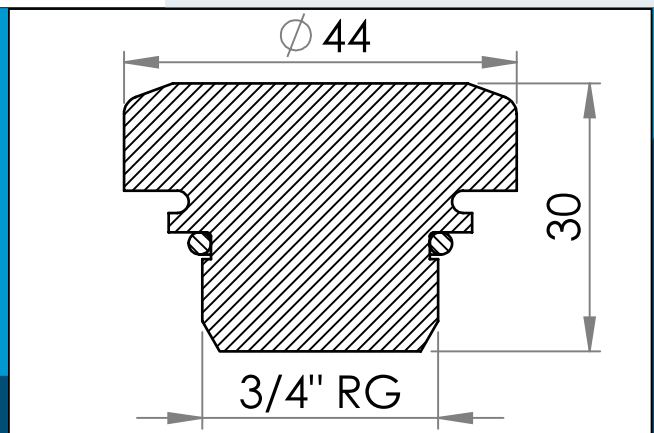




carmo
Your partner in plastic components

03-474 ABS plastic Pressure / Inflation Valve with G 3/4 inch pipe thread

ABS Pressure Valve / inflation valve. Ideal for dunnage bags and similar inflatable products up to approximately 0.3 bar.



Nominal measurements in mm

ABS Pressure Valve for 03-601, easy filling via compressed air pistol or tube adaptor 09-726. A low profile valve used for inflation. Ideal for dunnage bags and similar inflatable products. Suitable for pressures up to approximately 0.3 bar

Carmo's modular valve system is built around a common weldable flange, which is available in materials suitable for HF welding on PUR or PVC.

The valve features a standard 3/4" socket in which the three functional valves can be mounted:

- Inflation valve
- Vacuum valve
- Pressure relief valve

Materials: ABS+Metal
Std. packaging: 1 x 250
Fits with: 03-601,03-960,03-714
Related products: 03-601,03-284,03-374

Interested in other colors or materials? Please call for quote...



Carmo A/S, Hojvangen 19, DK-3060 Espergaerde, Denmark
T: +45 4912 2100, F: +45 4912 2199, E: denmark@carmo.dk
www.carmo.dk

More info <http://www.carmo.dk/en/technical-components/valves/inflation-pressure-valve/03-474/>

All geometrical dimensions and functional information are indicative. (Unless tolerances are specified). Carmo is not responsible for misprints and technical changes.
2024-06-17 20:17:09 UTC