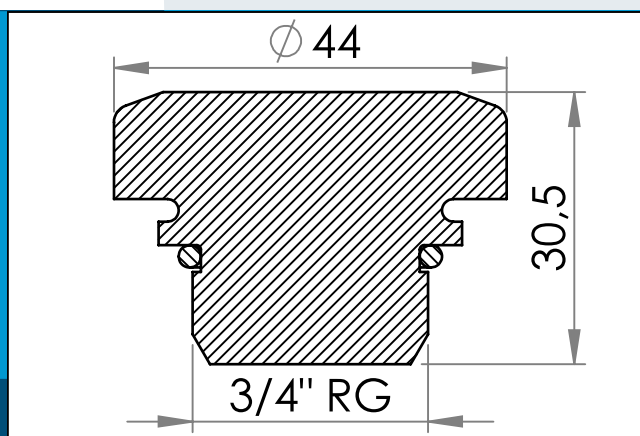


03-374 Pressure Relief Valve with G 3/4" pipe thread

ABS Pressure Relief valve with G3/4" thread. A low profile relief valve opening when a predetermined pressure is reached. Nominal opening pressure 0.07 Bar.



Nominal measurements in mm

ABS Pressure Relief valve for 03-601, G3/4" thread. A low profile relief valve opening when a predetermined pressure is reached. Ideal for inflated objects which must be secured against bursting, for instance buoys in which the pressure can grow at increasing temperature. Nominal opening pressure 0.07 Bar.

Carmo's modular valve system is built around a common weldable flange, which is available in materials suitable for HF welding on PUR or PVC.

The valve features a standard 3/4" socket in which the three functional valves can be mounted:

- Inflation valve
- Vacuum valve
- Pressure relief valve

Materials: ABS+Metal
 Std. packaging: 1 x 250
 Fits with: 03-601,03-960,03-711
 Related products: 03-601,03-274,03-284,03-474

Interested in other colors or materials? Please call for quote...