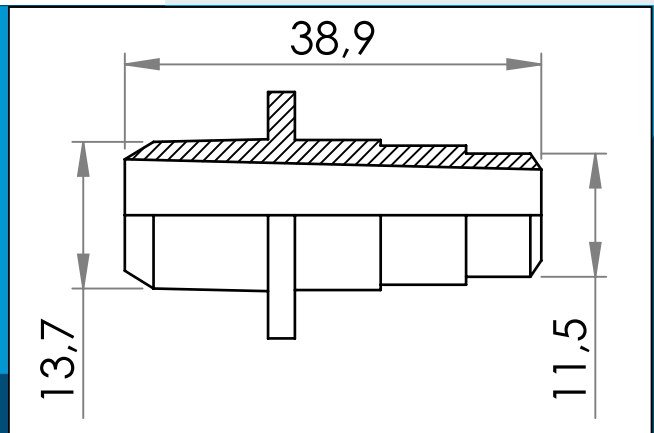




carmo
Your partner in plastic components

03-371 PA Pump Adaptor For vacuum valve

Adaptor for vacuum valve, allowing connection of a tube. Simple push fit allows easy connection



Nominal measurements in mm

Adaptor for vacuum valve 03-274, allowing connection of a tube. Simple push fit allows easy connection. Stepped profile fits a wide range of tubing sizes.

This product replaces 03-971
Materials: PA
Std. packaging: 1 x 1.000
Fits with: 03-284

Interested in other colors or materials? Please call for quote...



Carmo A/S, Hoejvangen 19, DK-3060 Espergaerde, Denmark
T: +45 4912 2100, F: +45 4912 2199, E: denmark@carmo.dk
www.carmo.dk

More info <http://www.carmo.dk/en/technical-components/valves/modular-valve-accessories/03-371/>

All geometrical dimensions and functional information are indicative. (Unless tolerances are specified). Carmo is not responsible for misprints and technical changes.
2022-10-06 20:02:12 UTC