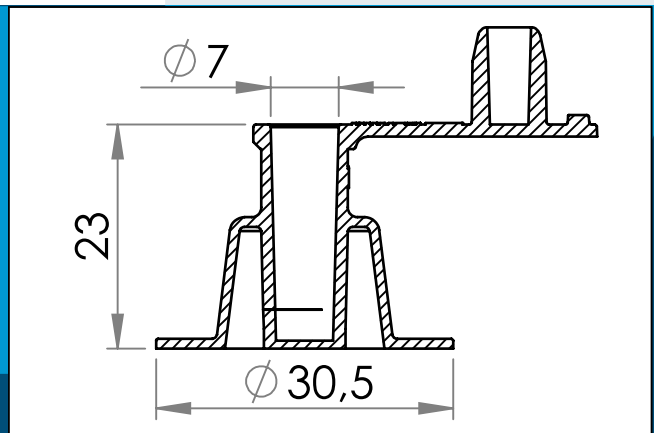




carmo
Your partner in plastic components

03-327 PVC Non-Return Valve for inflatables with plug, 7 mm

HF/ultrasonic weldable valve for inflatables.



Nominal measurements in mm

HF/ultrasonic weldable inflation valve with non-return application enables easy inflation.

The non-return function makes inflation using this valve easy. For de-flation apply pressure to the base of the valve.

Both the geometry and the material of this Non-Return Valve are optimised for High frequency welding

This product replaces 03-664
Materials: PVC, PVC/PUR
Std. packaging: 1 x 4.000
Related products: 03-325, 03-329, 03-307

Interested in other colors or materials? Please call for quote...



Carmo A/S, Hoejvangen 19, DK-3060 Espergaerde, Denmark
T: +45 4912 2100, F: +45 4912 2199, E: denmark@carmo.dk
www.carmo.dk

More info <http://www.carmo.dk/en/technical-components/valves/inflation-valves/03-327/>

All geometrical dimensions and functional information are indicative. (Unless tolerances are specified). Carmo is not responsible for misprints and technical changes.
2022-06-30 22:59:27 UTC