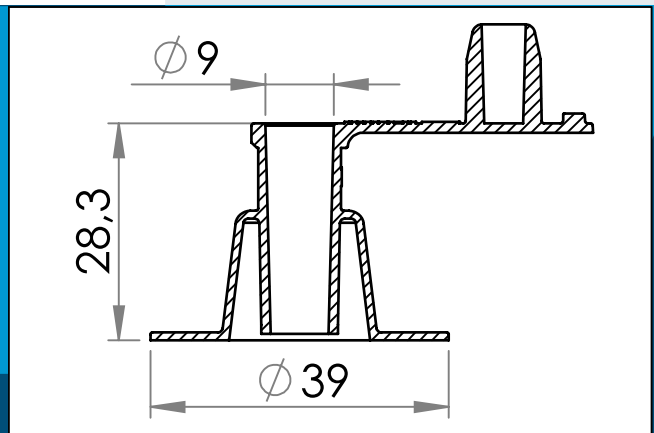




carmo
Your partner in plastic components

03-309 PVC Inflation valve, Free flow, fixed plug, 9 mm inlet

HF/ultrasonic weldable PVC inflation valve with fixed plug and 9 mm inlet.



Nominal measurements in mm

PVC inflation valve with fixed plug and 9mm inlet for High Frequency welding. The free flow application enables easy inflation and deflation.

The PVC inflation valve is weldable by using High Frequency welding or ultrasonic welding equipment.

This product replaces	03-115,03-116
Materials:	PVC, PVC/PUR
Std. packaging:	1 x 2.000
Related products:	03-305, 03-307,03-329

Interested in other colors or materials? Please call for quote...



Carmo A/S, Hoejvangen 19, DK-3060 Espergaerde, Denmark
T: +45 4912 2100, F: +45 4912 2199, E: denmark@carmo.dk
www.carmo.dk

More info <http://www.carmo.dk/en/technical-components/valves/inflation-valves/03-309/>

All geometrical dimensions and functional information are indicative. (Unless tolerances are specified). Carmo is not responsible for misprints and technical changes.
2024-05-27 00:08:33 UTC