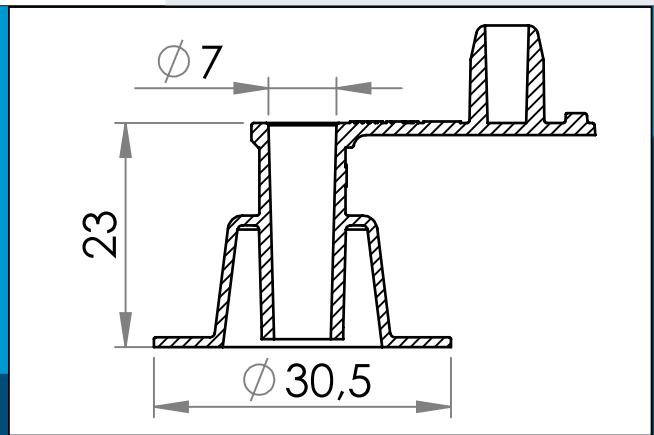




**carmo**  
Your partner in plastic components

## 03-307 Inflation valve for inflatables, free flow, fixed plug, 7 mm

Valve for inflatables with fixed plug and 7mm inlet. Optimized for HF/RF welding. Replaces 03-612.



Nominal measurements in mm

HF/RF weldable valve for inflatables. After inflation, the valve can be pushed down to be flush with the material it is welded to.

The valves for inflatables are optimized for HF / RF welding.

This product replaces 03-112,03-612  
Materials: PVC, PVC/PUR  
Std. packaging: 1 x 4.000  
Related products: 03-305, 03-309,03-327

Interested in other colors or materials? Please call for quote...



Carmo A/S, Højvangen 19, DK-3060 Espergaerde, Denmark  
T: +45 4912 2100, F: +45 4912 2199, E: [denmark@carmo.dk](mailto:denmark@carmo.dk)  
[www.carmo.dk](http://www.carmo.dk)

More info <http://www.carmo.dk/en/technical-components/valves/inflation-valves/03-307/>

All geometrical dimensions and functional information are indicative. (Unless tolerances are specified). Carmo is not responsible for misprints and technical changes.  
2021-12-01 15:50:33 UTC