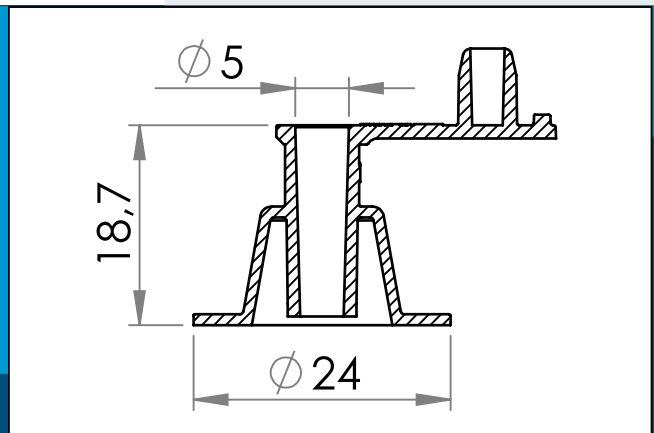




**carmo**  
Your partner in plastic components

## 03-305 Inflation valve, Free flow, fixed plug, 5 mm inlet

HF/ultrasonic weldable inflation valve, 5 mm inlet with integrated plug.  
Free-flow for rapid inflation and deflation.



Nominal measurements in mm

HF/ultrasonic weldable inflation valve with fixed 5 mm plug. Free-flow for rapid inflation and deflation.

Both the material and the geometry of the inflation valve are optimized for HF welding.

This product replaces 03-160  
Materials: PVC, PVC/PUR  
Std. packaging: 1 x 7.000  
Related products: 03-307, 03-309, 03-325

Interested in other colors or materials? Please call for quote...



Carmo A/S, Hoejvangen 19, DK-3060 Espergaerde, Denmark  
T: +45 4912 2100, F: +45 4912 2199, E: [denmark@carmo.dk](mailto:denmark@carmo.dk)  
[www.carmo.dk](http://www.carmo.dk)

More info <http://www.carmo.dk/en/technical-components/valves/inflation-valves/03-305/>

All geometrical dimensions and functional information are indicative. (Unless tolerances are specified). Carmo is not responsible for misprints and technical changes.  
2024-05-27 01:08:58 UTC