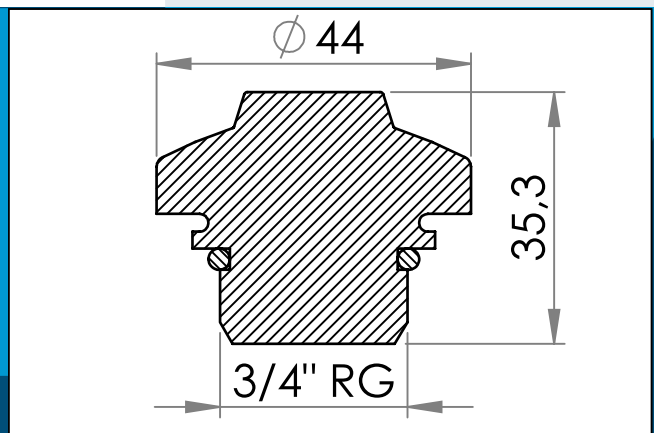




carmo
Your partner in plastic components

03-284 ABS plastic Vacuum valve with G 3/4" pipe thread

ABS Vacuum valve with G 3/4" thread. A low profile valve - stable and secure - easy to open - easy to close - rapid venting. Simple design – Highly versatile.



Nominal measurements in mm

ABS Vacuum valve for the HF weldable threaded flange 03-601. An ABS valve featuring a G 3/4" thread. A low profile valve - stable and secure - easy to open - easy to close - rapid venting.

03-284 has a simple design and fits to all known adapters on the market and is therefore highly versatile.

Carmo's modular valve system is built around a common weldable flange, which is available in materials suitable for HF welding on PUR or PVC.

The flange features a standard 3/4" socket in which the three functional valves can be mounted:

- Inflation valve
- Vacuum valve
- Pressure relief valve

This product replaces 03-274
Materials: ABS+Rubber
Std. packaging: 500
Fits with: 03-601,03-711,03-371,03-960,03-961
Related products: 03-601,03-374,03-474

Interested in other colors or materials? Please call for quote...



Carmo A/S, Hojvangen 19, DK-3060 Espergaerde, Denmark
T: +45 4912 2100, F: +45 4912 2199, E: denmark@carmo.dk
www.carmo.dk

More info <http://www.carmo.dk/en/technical-components/valves/vacuum-valve/03-284/>

All geometrical dimensions and functional information are indicative. (Unless tolerances are specified). Carmo is not responsible for misprints and technical changes.
2024-06-15 10:53:31 UTC