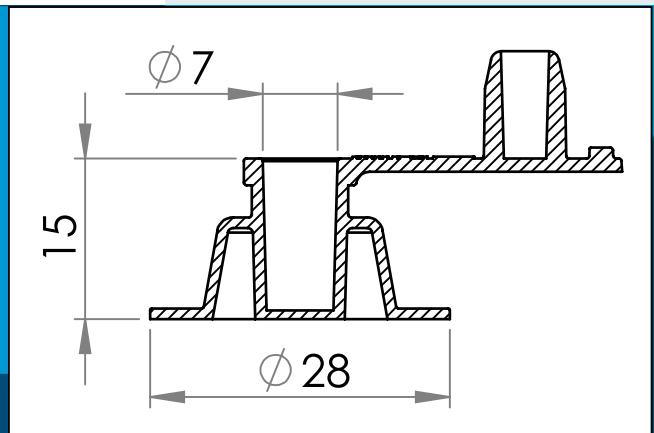




carmo
Your partner in plastic components

03-227 PVC low-profile Non-Return Valve for inflatables with plug, 7 mm

HF/ultrasonic weldable valve for inflatables. Low profile for compact designs. When pushed in, the valve will only protrude approx. 15 mm into the construction.



Nominal measurements in mm

HF/ultrasonic weldable inflation valve with non-return application enables easy inflation.

Both the geometry and the material of this Non-Return Valve are optimised for High frequency welding. Available in PVC PVC/PUR blend and now phtalate free PVC approved for toys to EN71-3.

Can be High Frequency welded using our electrode 07-300-0194.

This product replaces 03-957
Materials: PVC, PVC/PUR
Std. packaging: 1 x 4.000
Related products: 03-207,03-307,03-327

Interested in other colors or materials? Please call for quote...



Carmo A/S, Hoejvangen 19, DK-3060 Espergaerde, Denmark
T: +45 4912 2100, F: +45 4912 2199, E: denmark@carmo.dk
www.carmo.dk

More info <http://www.carmo.dk/en/technical-components/valves/inflation-valves/03-227/>

All geometrical dimensions and functional information are indicative. (Unless tolerances are specified). Carmo is not responsible for misprints and technical changes.
2024-05-27 08:38:34 UTC