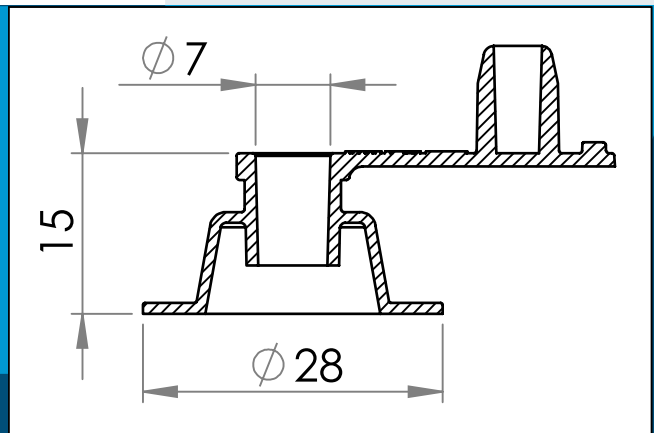




carmo
Your partner in plastic components

03-207 Low-profile inflation valve for inflatables, free flow, fixed plug, 7 mm

Valve for inflatables with fixed plug and 7mm inlet. Optimized for HF/RF welding. Specifically designed for use in application where a low profile inflation valve is needed.



Nominal measurements in mm

HF/RF weldable valve for inflatables. After inflation, the valve can be pushed down to be flush with the material it is welded to. When pushed in, the valve will only protrude approx. 10 mm into the construction.

The valves for inflatables are optimized for HF / RF welding.
Available in PVC PVC/PUR blend and now phthalate free PVC approved for toys to EN71-3.

Materials: PVC
Std. packaging: 1 x 4.000
Related products: 03-227,03-307,03-327

Interested in other colors or materials? Please call for quote...



Carmo A/S, Hoejvangen 19, DK-3060 Espergaerde, Denmark
T: +45 4912 2100, F: +45 4912 2199, E: denmark@carmo.dk
www.carmo.dk

More info <http://www.carmo.dk/en/technical-components/valves/inflation-valves/03-207/>

All geometrical dimensions and functional information are indicative. (Unless tolerances are specified). Carmo is not responsible for misprints and technical changes.
2021-06-21 08:11:44 UTC