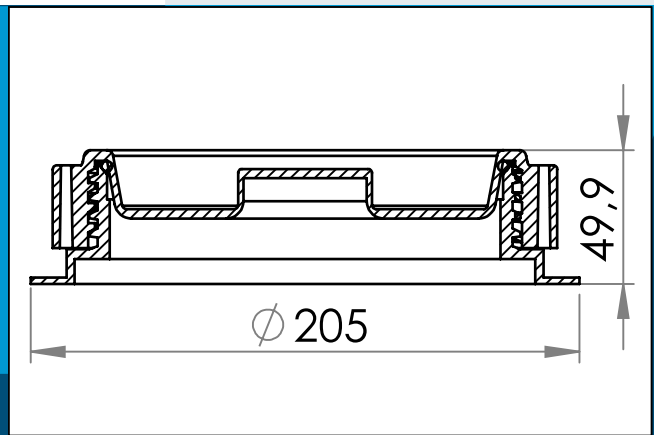




carmo
Your partner in plastic components

03-130 Threaded filler neck and cap + Gasket, Ø146 mm bore

Paired set of 146 mm HF weldable nozzle in PVC and plastic cap in PE with 'O'-ring seal. Suitable for large and small containers.



Nominal measurements in mm

Paired set of 146 mm HF weldable nozzle in PVC and plastic cap in PE with 'O'-ring seal. Suitable for large and small containers. Usually used with fluids and powders/granules at low pressure. Large 146 mm filling/emptying hole. The cap is easy to open by hand – even with gloves.

Fitted with a NBR70 O-ring which ensures long life and optimal sealing – even with repeated opening and closing.

Materials: PVC+PE+Rub
Std. packaging: 1 x 48
Related products: 03-129, 03-131

Interested in other colors or materials? Please call for quote...



Carmo A/S, Hojvangen 19, DK-3060 Espergaerde, Denmark
T: +45 4912 2100, F: +45 4912 2199, E: denmark@carmo.dk
www.carmo.dk

More info <http://www.carmo.dk/en/technical-components/neck-flanges-caps/sets/03-130/>

All geometrical dimensions and functional information are indicative. (Unless tolerances are specified). Carmo is not responsible for misprints and technical changes.
2024-02-28 09:12:16 UTC