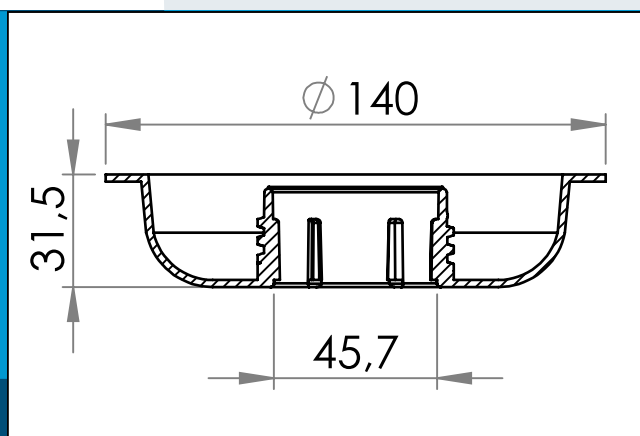




carmo
Your partner in plastic components

03-045 45mm Recessed threaded filler flange

Weldable, recessed filler flange, Ø45 mm nominal bore, completely sub flush and easy access to cap, even with gloved hands.



Nominal measurements in mm

Weldable, recessed filler flange, Ø45 mm nominal bore, completely sub flush and easy access to cap, even with gloved hands.

Can be welded directly to PVC sheets, fabric and foils using High Frequency (HF/RF) welding. Carmo's unique PVC blend ensures perfect weldings with minimal hassle.

Materials: PVC
Std. packaging: 1 x 96
Fits with: 03-945
Related products: 03-745

Interested in other colors or materials? Please call for quote...



Carmo A/S, Hoejvangen 19, DK-3060 Espergaerde, Denmark
T: +45 4912 2100, F: +45 4912 2199, E: denmark@carmo.dk
www.carmo.dk

More info <http://www.carmo.dk/en/technical-components/neck-flanges-caps/filler-flanges/03-045/>

All geometrical dimensions and functional information are indicative. (Unless tolerances are specified). Carmo is not responsible for misprints and technical changes.
2022-01-28 11:18:34 UTC