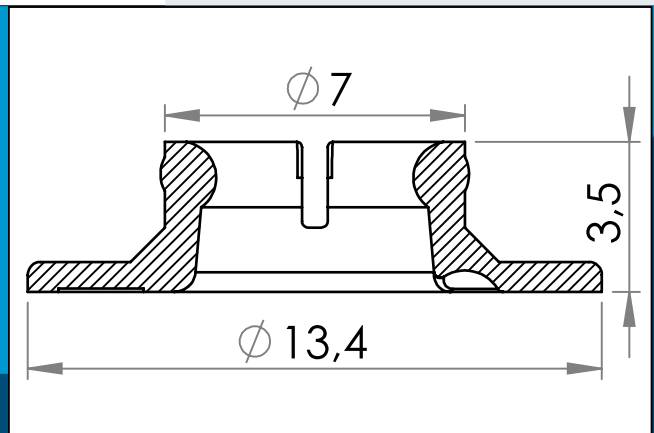




carmo
Your partner in plastic components

02-431 PA / Nylon Snapfastener, female (heavy closing strength)

Female snap fastener with heavy closing strength



Nominal measurements in mm

Nylon snap fastener - female part. Snaps together with male part 02-031 to form a joint with heavy closing strength. Can be re-opened and re-used.

Materials: PA
Std. packaging: 2 x 25.000
Fits with: 02-031,02-118

Interested in other colors or materials? Please call for quote...



Carmo A/S, Hoejvangen 19, DK-3060 Espergaerde, Denmark
T: +45 4912 2100, F: +45 4912 2199, E: denmark@carmo.dk
www.carmo.dk

More info <http://www.carmo.dk/en/technical-components/buttons/plastic-snap-fasteners/02-431/>

All geometrical dimensions and functional information are indicative. (Unless tolerances are specified). Carmo is not responsible for misprints and technical changes.
2024-06-17 18:55:48 UTC