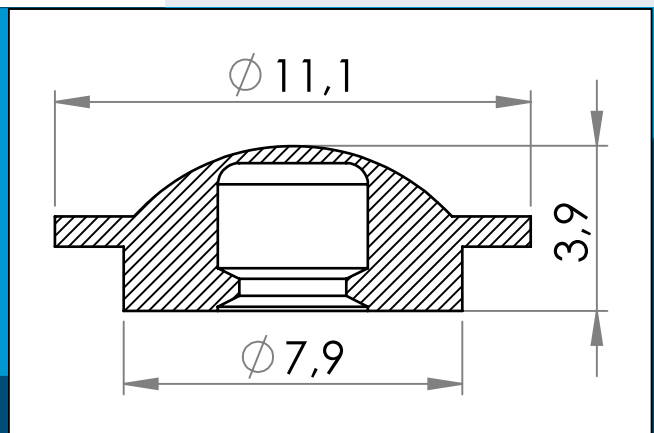




carmo
Your partner in plastic components

02-224 PVC Snapfastener, female (low closing strength)

Plastic Snapfastener (female part) with low closing strength.



Nominal measurements in mm

Female plastic snap fastener with low closing strength. Fits with the male part 02-024 to form a re-usable click connection. Can be re-opened and re-used without tools.

For click-connections that can be used only once, please refer to the security snap fasteners.

Materials: PVC
Std. packaging: 2 x 25.000
Fits with: 02-024

Interested in other colors or materials? Please call for quote...



Carmo A/S, Hojvangen 19, DK-3060 Espergaerde, Denmark
T: +45 4912 2100, F: +45 4912 2199, E: denmark@carmo.dk
www.carmo.dk

More info <http://www.carmo.dk/en/technical-components/buttons/plastic-snap-fasteners/02-224/>

All geometrical dimensions and functional information are indicative. (Unless tolerances are specified). Carmo is not responsible for misprints and technical changes.
2022-09-29 21:03:27 UTC