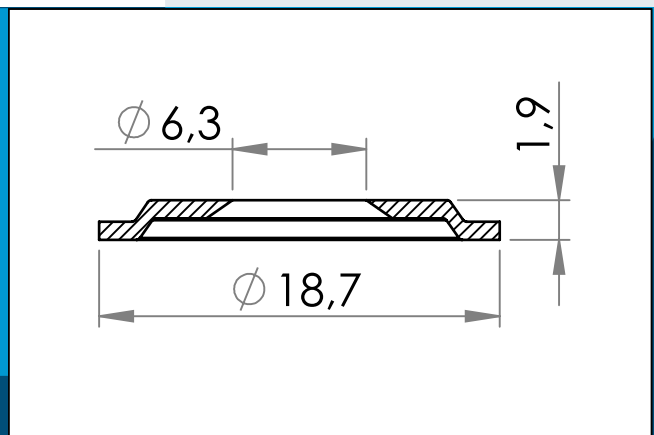




carmo
Your partner in plastic components

02-118 PVC Washer For snapfastener 02-331, 02-431

Enables welding of nylon (PA) snap fastener 02-331, 02-431 to vinyl sheeting



Nominal measurements in mm

PVC washer that enables welding of nylon (PA) snap fastener 02-331 and 02-431 to vinyl sheeting.

The PVC washer is mounted by gluing, by ultrasonic welding or by high frequency welding. Especially HF welding will fuse the washer to the base and provide a very strong bond.

Std. packaging: 2 x 25.000
Fits with: 02-331,02-431

Interested in other colors or materials? Please call for quote...



Carmo A/S, Hoejvangen 19, DK-3060 Espergaerde, Denmark
T: +45 4912 2100, F: +45 4912 2199, E: denmark@carmo.dk
www.carmo.dk

More info <http://www.carmo.dk/en/technical-components/buttons/plastic-snap-fasteners/02-118/>

All geometrical dimensions and functional information are indicative. (Unless tolerances are specified). Carmo is not responsible for misprints and technical changes.
2022-09-29 21:03:47 UTC