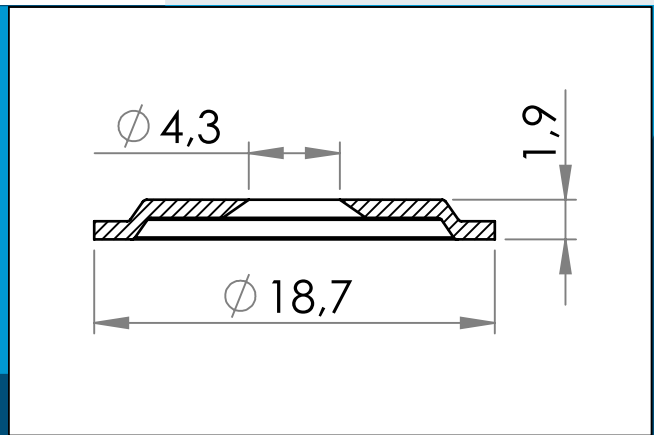




carmo
Your partner in plastic components

02-117 PVC Washer For 02-031

PVC washer for nylon (PA) snap fastener. Can be HF and ultrasonic welded to PVC sheets.



Nominal measurements in mm

PVC washer that enables HF-welding of nylon (PA) snap fastener 02-031 to vinyl sheeting.

Using HF welding equipment and a dedicated stand-alone HF electrode, the washer will be fused together with the base material.

Depending on the HF generator used, welding times of 1-2 seconds can be expected.

Materials: PVC
Std. packaging: 2 x 25.000
Fits with: 02-031

Interested in other colors or materials? Please call for quote...



Carmo A/S, Hoejvangen 19, DK-3060 Espergaerde, Denmark
T: +45 4912 2100, F: +45 4912 2199, E: denmark@carmo.dk
www.carmo.dk

More info <http://www.carmo.dk/en/technical-components/buttons/plastic-snap-fasteners/02-117/>

All geometrical dimensions and functional information are indicative. (Unless tolerances are specified). Carmo is not responsible for misprints and technical changes.
2024-06-17 17:25:23 UTC