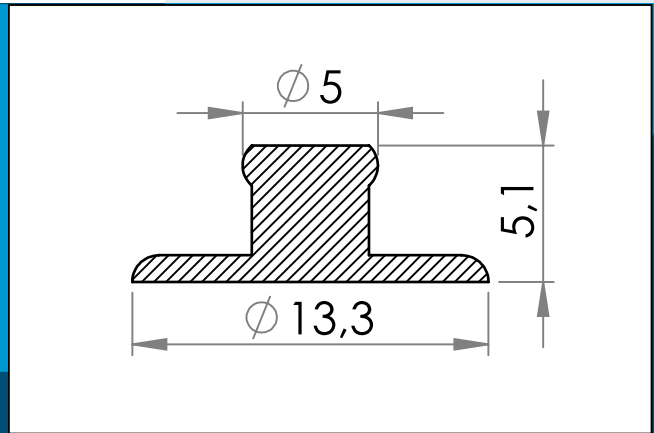




**carmo**  
Your partner in plastic components

## 02-031 PA / Nylon plastic Snap fastener, male

Nylon snap fastener, male part. Forms a re-usable click connection. Together with matching female parts 02-331 and 02-431



Nominal measurements in mm

Nylon snap fastener - male part. Fits with matching female parts 02-331 and 02-431 depending on the closing strength needed. Forms a re-usable click connection. Can be re-opened and re-used without tools.

Materials: PA  
Std. packaging: 2 x 25.000  
Fits with: 02-117,02-331,02-431

Interested in other colors or materials? Please call for quote...



Carmo A/S, Hoejvangen 19, DK-3060 Espergaerde, Denmark  
T: +45 4912 2100, F: +45 4912 2199, E: [denmark@carmo.dk](mailto:denmark@carmo.dk)  
[www.carmo.dk](http://www.carmo.dk)

More info <http://www.carmo.dk/en/technical-components/buttons/plastic-snap-fasteners/02-031/>

All geometrical dimensions and functional information are indicative. (Unless tolerances are specified). Carmo is not responsible for misprints and technical changes.  
2024-06-17 17:47:23 UTC