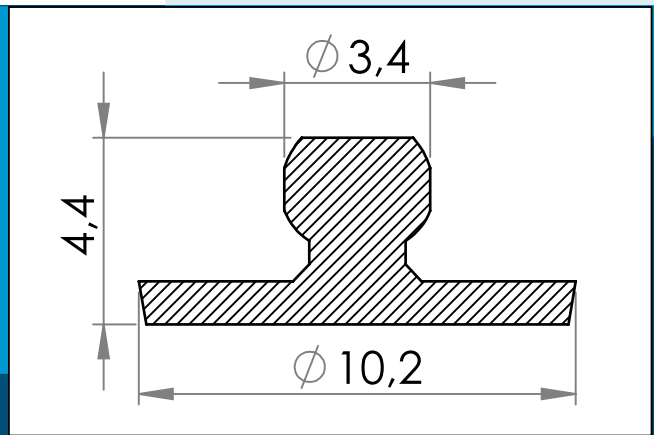




carmo
Your partner in plastic components

02-024 PVC Snap fastener, male

HF/ultrasonic direct weldable snap fastener for click connections.



Nominal measurements in mm

Male part of plastic snap fastener that can be HF/RF welded to PVC sheets and foils directly. Used with matching female parts 02-224 and 02-324 depending on the closing strength needed. Forms a re-usable click connection. Can be re-opened and re-used without tools.

Materials: PUR, PVC
Std. packaging: 25.000/100.000
Fits with: 02-224,02-324

Interested in other colors or materials? Please call for quote...



Carmo A/S, Hoejvangen 19, DK-3060 Espergaerde, Denmark
T: +45 4912 2100, F: +45 4912 2199, E: denmark@carmo.dk
www.carmo.dk

More info <http://www.carmo.dk/en/technical-components/buttons/plastic-snap-fasteners/02-024/>

All geometrical dimensions and functional information are indicative. (Unless tolerances are specified). Carmo is not responsible for misprints and technical changes.
2024-06-17 16:58:55 UTC