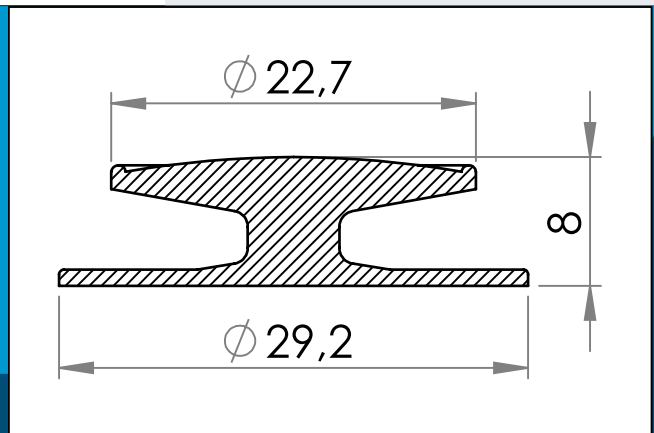


01-055 PVC Button 22.7 mm

HF/ultrasonic weldable button for use with raincoats, protective gear or other areas where an easy and inexpensive attachment is needed.



Nominal measurements in mm

HF/ultrasonic weldable PVC button for use with raincoats, protective gear or other areas where an easy and inexpensive attachment is needed. Both geometry and material optimised for HF welding and ultrasonic welding.

Materials:	PVC, PVC/PUR
Std. packaging:	1 x 8.000
Fits with:	01-112
Related products:	01-112,09-099

Interested in other colors or materials? Please call for quote...