

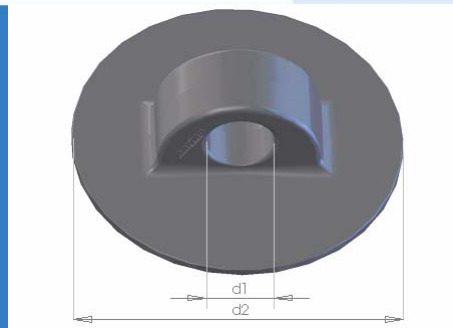
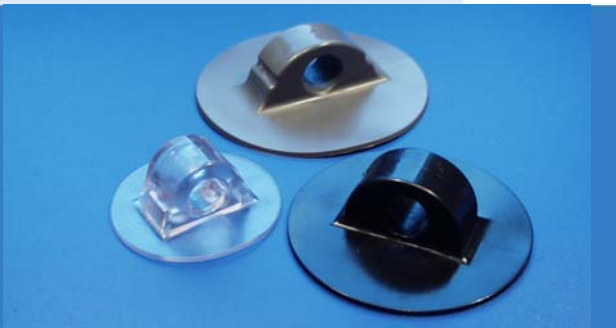


carmo

Your partner in plastic components

Line supports (round base)

Widely used with rope or line on inflatable products, play equipment, floating toys, hangers for ventilation socks



Design	d1 mm	d2 mm
05-146	9	39
05-246	11	54,4
05-247	10,5	63,5

Technical specification:

PVC PY28 (high tensile strength, hardness 96 shore A)

PVC PG47 (hardness 80 shore A)

PVC PG57 (hardness 75 shore A, well suited to low temperatures)

PVC/PUR PD74 (Carmo's unique formulation gives excellent adhesion to PUR based materials)

Usage:

Place the component in the desired position on the material. High frequency weld using the specially designed Carmo electrode.

Colours:

Grey, black as standard. 05-146 clear or black. Other colours on request.

Related products:

Other line supports, 05-147, 05-148, 05-248

Electrodes for hf welding:

05-146 7-500-0140

05-246 7-500-0150

05-247 7-500-0162



Carmo A/S, Hoejvangen 19, DK-3060 Espergaerde, Denmark
T: +45 4912 2100, F: +45 4912 2199, E: denmark@carmo.dk
www.carmo.dk