

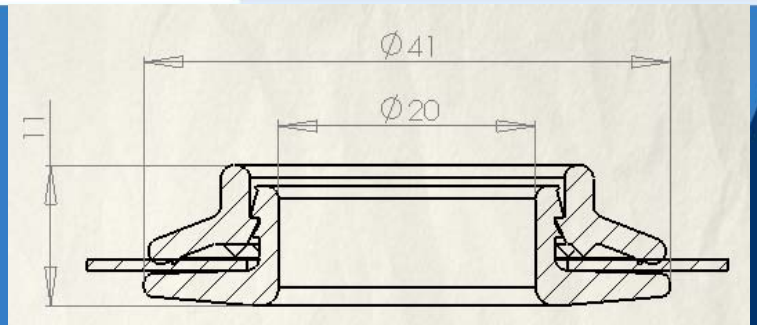


carmo

Your partner in plastic components

04-522 Clip grommets Ø20

Hole reinforcements for materials such as textiles, awnings, tarpaulins, banners



Technical specification:

Made of high impact strength polypropylene

Temperature range -20°C to $+60^{\circ}\text{C}$

Usage:

Punch a hole in the material $\text{Ø}25$ ($\text{Ø}24$ gives a better result with soft materials). Push the male clip grommet through the hole. Centre the female clip grommet on the male part. Press the female clip grommet in place with the aid of a hammer or press tool/clamp.

Colours:

Blue, white, green, black, grey, yellow, red, transparent

Related products:

$\text{Ø}20$ ventilation model (04-523)

Clip grommet $\text{Ø}12$ (04-512)



Carmo A/S, Hoejvangen 19, DK-3060 Espergaerde, Denmark
T: +45 4912 2100, F: +45 4912 2199, E: denmark@carmo.dk
www.carmo.dk