

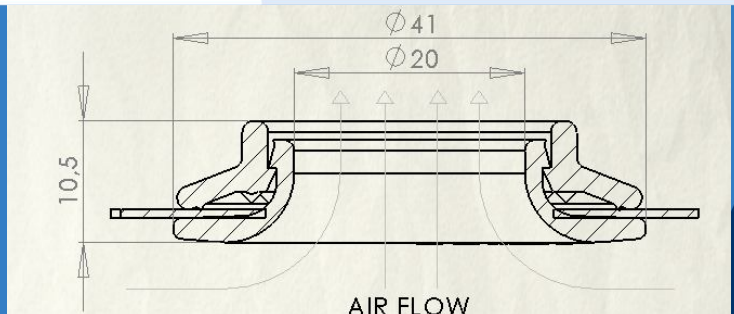
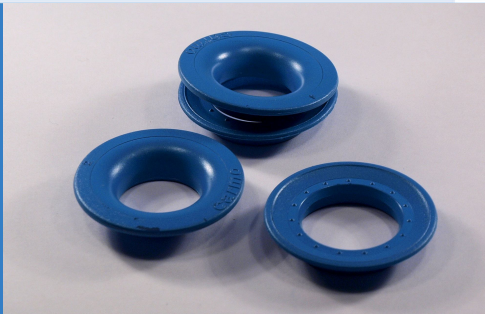


carmo

Your partner in plastic components

04-523 Ventilation grommets Ø20mm

Low profile air nozzles for ventilation socks,
optimised hole geometry for low noise.



Technical specification:

Made of high impact strength polypropylene

Temperature range -20°C to $+60^{\circ}\text{C}$

Suitable for materials up to 1 mm thickness

Usage:

Punch a hole in the material $\text{Ø}25$ ($\text{Ø}24$ gives a better result with soft materials). Push the male clip grommet through the hole. Centre the female clip grommet on the male part. Press the female clip grommet in place with the aid of a hammer or hand press.

Colours:

Black, other colours please ask

Ordering possibilities:

Supplied as sets (one male, one female ring)

Related products:

Clip grommet $\text{Ø}20$ standard model (04-522)

Clip grommet $\text{Ø}12$ standard model (04-512)



Carmo A/S, Hoejvangen 19, DK-3060 Espergaerde, Denmark
T: +45 4912 2100, F: +45 4912 2199, E: denmark@carmo.dk
www.carmo.dk